

KBE threshold systems

PremiPlan und PremiPlan Plus

Application options for the PremiPlan and PremiPlan Plus threshold systems

	System 70		System 76 AD		System 76 MD		System 88 MD	
	PremiPlan	PremiPlan Plus	PremiPlan	PremiPlan Plus	PremiPlan	PremiPlan Plus	PremiPlan	PremiPlan Plus
Tilt/turn glazed door single-sash, inward opening	—	—	ift	■	ift	■	ift	■
Tilt/turn glazed door double-sashed, inward opening	—	—	■	■	■	■	■	■
Side entrance door single-sash, inward opening	—	—	ift	■	ift	■	ift	■
Side entrance door double-sashed, inward opening	—	—	■	■	■	■	■	■
Residential door single sash, inward opening	—	—	ift	■	ift	■	ift	■
Residential door double-sashed, inward opening	—	—	■	■	■	■	■	■
Tilt/turn glazed door single-sash, outward opening	—	—	—	—	—	—	—	—
Tilt/turn glazed door double-sashed, outward opening	—	—	—	—	—	—	—	—
Side entrance door single-sash, outward opening	—	—	—	—	—	—	—	—
Side entrance door double-sashed, outward opening	—	—	—	—	—	—	—	—
Residential door single-sash, outward opening	—	—	—	—	—	—	—	—
Residential door double-sashed, outward opening	—	—	—	—	—	—	—	—

at a later point in time	being prepared at present	Test report available
—	■	ift



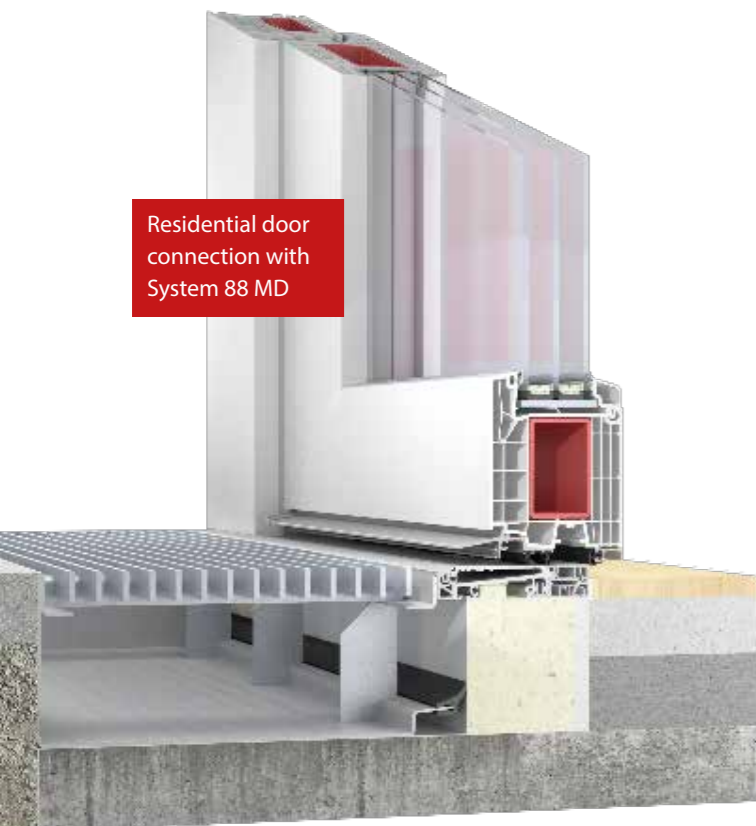
No threshold – one System!



profine GmbH
 KBE Fenstersysteme
 Motzener Straße 31-33
 12277 Berlin
 Phone: +49 30 86873-0
 Fax: +49 30 86873-386
 E-Mail: kbe@profine-group.com
 www.kbe-online.com

3_34 PR0901_0918





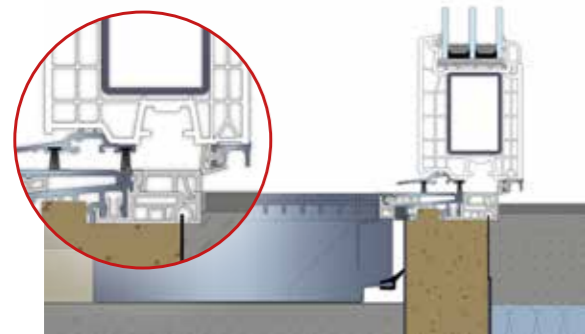
Residential door connection with System 88 MD

PremiPlan

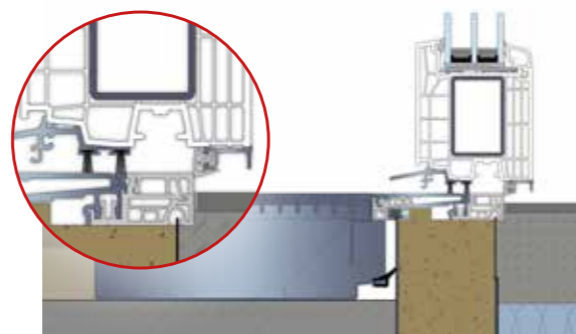
10 mm barrier-free threshold

Thanks to clever adaptation and use of the tried and tested 20 mm threshold, our residential door and terrace systems in the construction depths 76 and 88 transform into barrier-free threshold solutions. The inner sash leg of the sash profiles are cut and provided with a special weather seal.

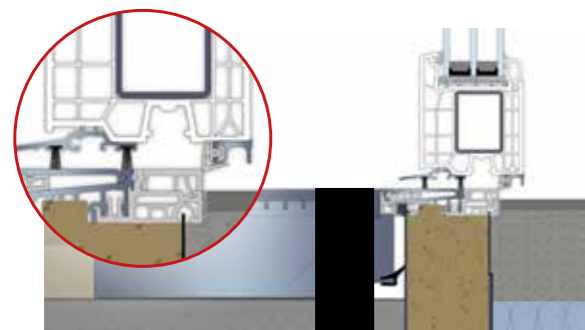
Barrier-free, in other words no-threshold transitions from living space to terrace or balcony are standard in today's upmarket housing construction. It must however be ensured that no rainwater can penetrate the building from the outside. PremiPlan and PremiPlan Plus can be installed in the area of flat rooves or in areas close to or in contact with the ground.



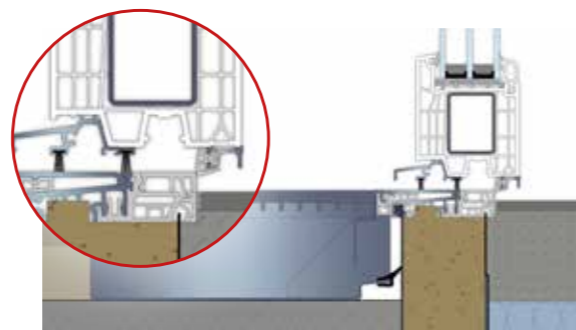
Residential door connection with System 76



Terrace connection with System 88 MD



Terrace connection with System 76 AD



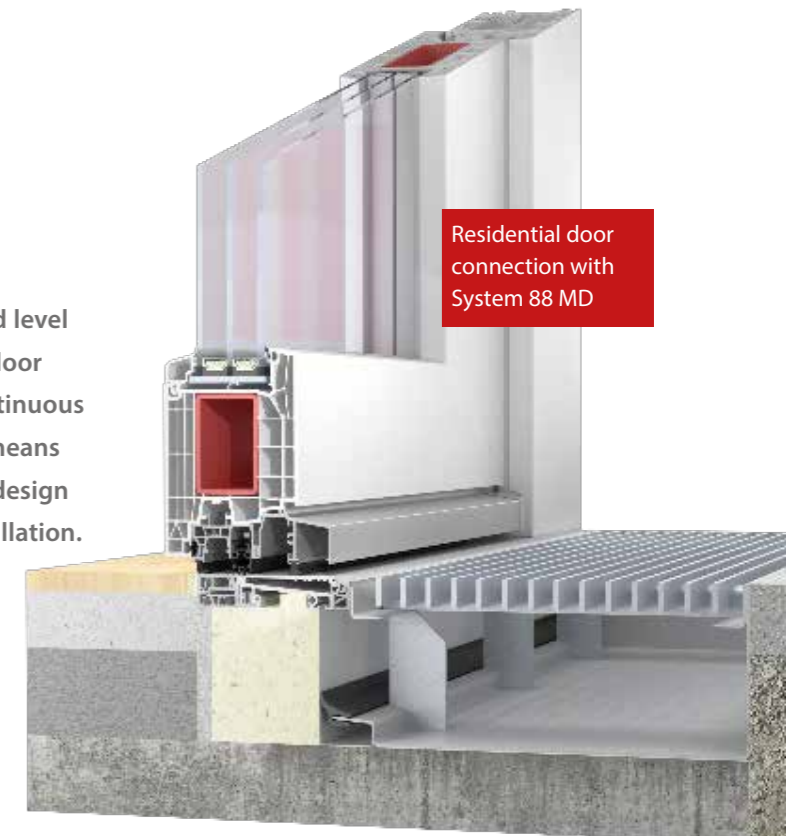
Terrace connection with System 76 MD

PremiPlan Plus

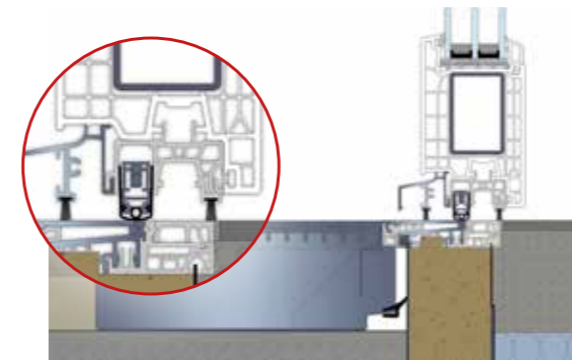
0 mm with retractable comfort seal

The premium threshold system for maximum barrier freedom with a high degree of accessibility, for ground level installation at zero millimetres. A parallel retractable floor seal is the main component of the multistage and continuous sealing concept which achieves maximum results by means of specially developed structured parts. The modular design of the system allows efficient manufacturing and installation.

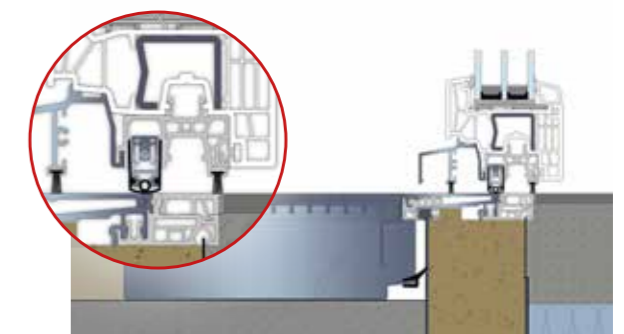
Both threshold systems can be used in the window and residential door systems 88 MD and 76 double and centre seal, with single-sash, inward opening elements. Double-sashed and outward opening elements are currently undergoing preliminary testing.



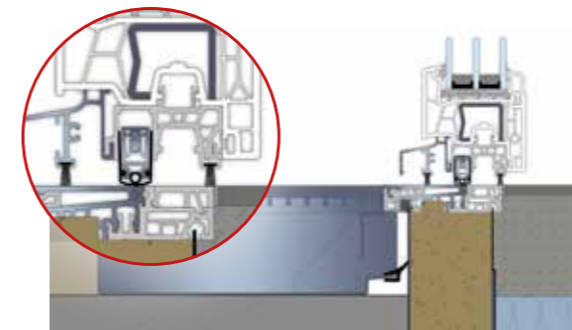
Residential door connection with System 88 MD



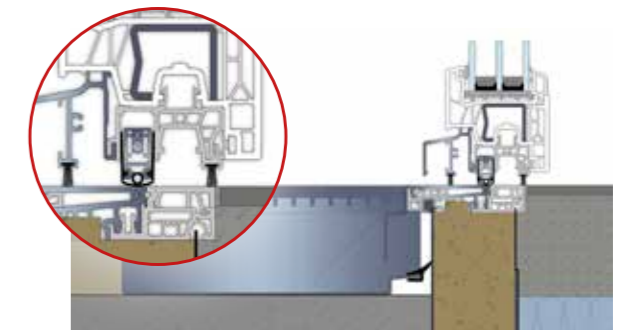
Residential door connection with System 76



Terrace connection with System 88 MD



Terrace connection with System 76 AD



Terrace connection with System 76 MD

The EVALON-coated connection angles and stainless steel connection plates, specially designed for the system, allow professional connection of the flexible waterproofing sheets and installation of the zero threshold.

Please observe the adjacent installation procedure.

- » The window installer provides the door element including purenit extension with stainless steel, EVALON-coated corner brackets and connection plate.
- » Attaching the flexible waterproofing sheets in the connection area to the stainless steel, EVALON-coated corner brackets and the connection plate by specialised companies, such as Alwitra.
- » The rainwater channel system "ACO zero threshold pro" by ACO Hochbau can be purchased from specialist shops.